



# IGR-20 / IGR-20+

**Industrial VPN Router with 2x10/100/1000Base-T(X),  
1-Port PoE P.D.**

## Features

- Provide 2 port 10/100/1000Base-T(X) port
- Secured Management by HTTPS
- Various kind of WAN Connection Type supported: Dynamic/Static IP, PPPoE
- IP table to prevent access from unauthorized IP address
- Support VPN for secured network connection (Open VPN , PPTP, IPSEC, VPN)
- Support NAT Setting (Virtual Server , Port Trigger , DMZ , UPnP)
- Versatile modes & event alarm by e-mail
- 1KV isolation for PoE P.D. port (IGR-20+)
- Event Warning by Syslog, Email, SNMP Trap, Relay and Beeper
- Rigid IP-30 housing design
- DIN-Rail and Wall-mount enabled

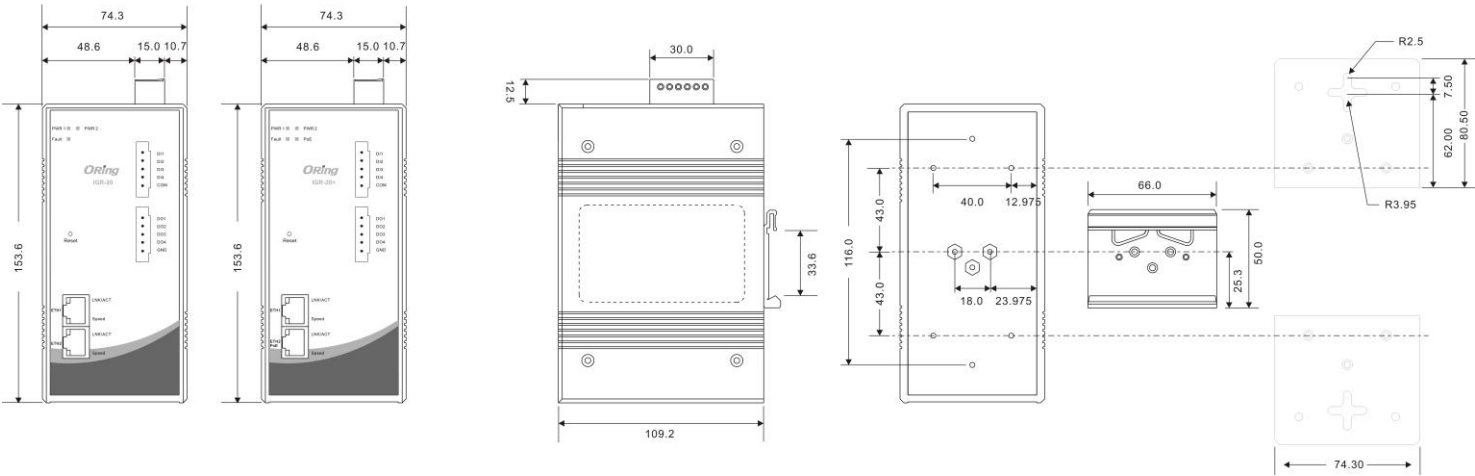


## Introduction

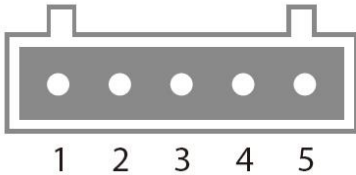
IGR-20 series is a reliable VPN router with 2 ports 10/100/1000Base-T(X) router where ETH1 for LAN and ETH2 for WAN. It supports 802.1X and MAC filter for security control. It could be configured to operate in 2 modes of routing function: Dynamic/Static IP route, PPPoE authentication. In addition, IGR-20+ also provides P.D. feature on ETH2 which is fully compliant with IEEE802.3af PoE P.D. specification. This feature extends the layout up to 100 meters. Therefore, IGR-20+ is one of the best solution for applications of VPN connection.

**Dimension**

Dimension (Unit =mm)



**DI/DO Definition**



**Digital Input Pin Definition**

<b>PIN</b>	<b>1</b>	<b>2</b>	<b>3</b>	<b>4</b>	<b>5</b>
<b>Function</b>	<b>DI1</b>	<b>DI2</b>	<b>DI3</b>	<b>DI4</b>	<b>COM</b>

**Digital Output Pin Definition**

<b>PIN</b>	<b>1</b>	<b>2</b>	<b>3</b>	<b>4</b>	<b>5</b>
<b>Function</b>	<b>DO1</b>	<b>DO2</b>	<b>DO3</b>	<b>DO4</b>	<b>GND</b>

## Specifications

ORing AP Router Model	IGR-20	IGR-20+
<b>Physical Ports</b>		
10/100/1000 Base-T(X) Ports in RJ45 Auto MDI/MDIX	<b>2</b>	
PoE P.D. port		Present at ETH2 Fully compliant with IEEE 802.3af Power Device specification Over load & short circuit protection Isolation Voltage: 1000 VDC min. Isolation Resistance : 10 <sup>8</sup> ohms min
5-Pin Terminal Block	<b>2(4xDI and 4xDO)</b>	
<b>LED indicators</b>		
Power indicator	3 x LEDs, PWR1(2)(PoE) / Ready: Red On : Power is on and booting up Green On : Power is on and functioning Normal	
10/100/1000T RJ45 port indicator	2 x LEDs, LNK/ACT:Green for port Act. Speed: Green for port Link at 1000Mbps Amber for port Link at 100Mbps. Off for port Link at 10Mbps	
Fault	1 x LED, Red for Ethernet link down or power down indicator	
<b>Fault contact</b>		
Relay	Relay output to carry capacity of 1A at 24VDC	
<b>Power</b>		
Redundant Input power	Dual DC inputs. 12-48VDC on 6-pin terminal block	
Power consumption	4 Watts	5 Watts
Overload current protection	Present	
Reverse polarity protection	Present	
<b>Physical Characteristic</b>		
Enclosure	IP-30	
Dimension (W x D x H)	74.3(W) x 109.2(D) x 153.6(H) mm (2.93 x 4.3 x 6.05 inch.)	
Weight (g)	845g	850g
<b>Environmental</b>		
Storage Temperature	-40 to 85oC (-40 to 185°F)	
Operating Temperature	-40 to 75°C (-40 to 167°F)	
Operating Humidity	5% to 95% Non-condensing	
<b>Regulatory approvals</b>		
EMI	FCC Part 15, CISPR (EN55022) class A	
EMS	EN61000-4-2 (ESD), EN61000-4-3 (RS), EN61000-4-4 (EFT), EN61000-4-5 (Surge), EN61000-4-6 (CS), EN61000-4-8, EN61000-4-11	
Shock	IEC60068-2-27	
Free Fall	IEC60068-2-32	
Vibration	IEC60068-2-6	
Safety	EN60950-1	
<b>Warranty</b>	5 years	

## Packing List

---

- IGR-20/20+ x 1
- 6-Pin Terminal Block x 1
- CD x 1
- Din-Rail Kit x 1
- 5-Pin Terminal Block x 2
- Quick Installation Guide x 1
- Wall-Mount Kit x 2
- Dust Cover x 2

## Optional Accessories

---

- DR-45 series : 45 Watts power supply
- DR-120 series : 120 Watts power supply
- DR-75 series : 75 Watts power supply