



MEDIA CONVERTER INDUSTRIAL Rack-Mount

# Quick Installation Guide

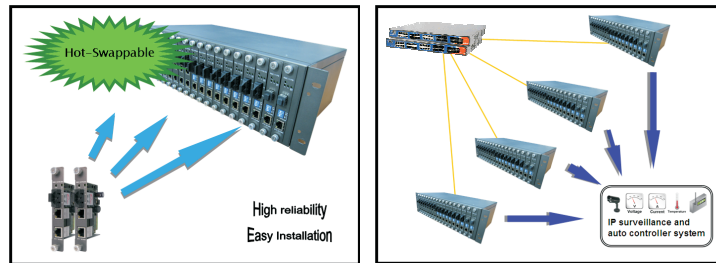
# RMC-121FB Series

# Industrial Card Type Media Converter

## Introduction

RMC-121FB series is industrial rack mount card type Ethernet to fiber media converter for rack-mounted chassis box of RMC-1000, that can hot-swappable and easy installation to RMC-1000. RMC-121FB series supports media conversion between 2x10/100Base-T(X) and 1x100Base-FX. RMC-121FB series allows you to extend communication distance by optical fiber. RMC-121FB series supports MDI/MDIX auto detection, so you don't need to use crossover wires. Therefore, the RMC-121FB series to collocate RMC-1000 is reliable media converter and can satisfy most demand of operating environment.

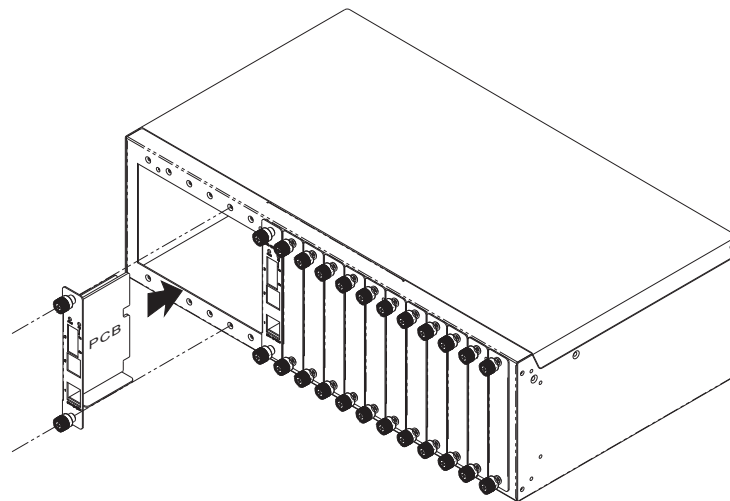
### Connection of Media Converter



## Features

- > Supports 2 port 10/100Base-T(X) auto-negotiation and auto-MDI/MDI-X
- > Supports Ethernet to fiber or Ethernet to SFP port for long distance communication
- > 2x10/100 Base-T(X) ports to save the usage of copper ports
- > Supports store and forward transmission
- > Hot-swappable, High reliability and easy installation
- > Up to 18 slot high density installation in RMC-1000 chassis on 19 inches rack

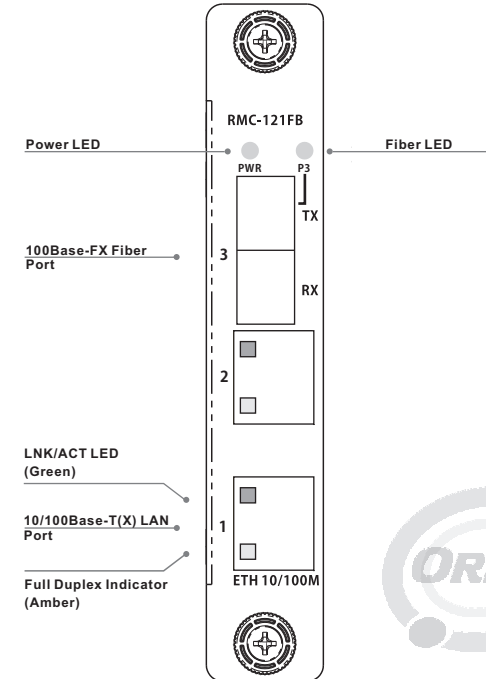
## Installation



## Specifications

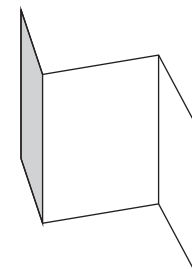
ORing Media Converter Model	RMC-121FB-MM-SC	RMC-121FB-SS-SC
<b>Physical Ports</b>		
10/100 Base-T(X) Ports in RJ45 Auto MDI/MDIX	2	2
Fiber Ports Number	1	1
Fiber Ports Standard	100Base-FX	100Base-FX
Fiber Mode	Multi-mode	Single-mode
Fiber Diameter (μm)	62.5/125 μm 50/125 μm	9/125 μm
Fiber Optical Connector	SC	SC
Typical Distance (Km)	2 Km	30 Km
Wavelength (nm)	1310 nm	1310 nm
Max. Output Optical Power (dbm)	-14 dbm	-8 dbm
Min. Output Optical Power (dbm)	-23.5 dbm	-15 dbm
Max. Input Optical Power (Saturation)	0 dbm	0 dbm
Min. Input Optical Power (Sensitivity)	-31 dbm	-34 dbm
Link Budget (db)	7.5 db	19 db
<b>Technology</b>		
Ethernet standards	IEEE 802.3 for 10Base-T IEEE 802.3u for 100Base-TX and 100Base-FX IEEE 802.3x for flow control	
Processing	Store-and-Forward	
<b>LED Indicators</b>		
Power indicator	Green : Power LED x 1	
10/100Base-T(X) RJ 45 port indicator	Green for port Link/Act. Amber for Duplex/Collision	
100Base-FX fiber port indicator	Green for fiber port Link/Act	
<b>Power</b>		
Power consumption(Typ.)	4.5 Watts	
Overload current protection	Present	
<b>Physical Characteristic</b>		
Dimension (W x D x H)	21.8 (W) x 73.1 (D) x 126 (H)mm (0.86 x 2.88 x 4.96 inch)	
Weight (g)	137 g	
<b>Environmental</b>		
Storage Temperature	-40 to 85°C (-40 to 185°F)	
Operating Temperature	-10 to 60°C (14 to 140°F)	
Operating Humidity	5% to 95% Non-condensing	
<b>Regulatory Approvals</b>		
EMI	FCC Part 15, CISPR (EN55022) class A	
EMS	EN61000-4-2 (ESD), EN61000-4-3 (RS), EN61000-4-4 (EFT), EN61000-4-5 (Surge), EN61000-4-6 (CS), EN61000-4-8, EN61000-4-11	
Shock	IEC60068-2-27	
Free Fall	IEC60068-2-32	
Vibration	IEC60068-2-6	
Warranty	2 years	

## Front Panel



## Accessory

- ① Dust Cover (RJ-45)
- ② QIG



## Packing list

Model name	Model Description	Accessory
RMC-121FB-MM-SC	Industrial Rack mount card type Ethernet to fiber media converter with 2x10/100Base-T(X) and 1x100Base-FX, multi-mode, 2Km/1310nm, SC connector	①X2, ②X1
RMC-121FB-SS-SC	Industrial Rack mount card type Ethernet to fiber media converter with 2x10/100Base-T(X) and 1x100Base-FX, single-mode, 30Km/1310nm, SC connector	①X2, ②X1

ORing Industrial Networking Corp.  
 Copyright© 2011 ORing All rights reserved.  
 TEL: +886-2-2218-1066 Website: www.oring-networking.com  
 FAX: +886-2-2218-1014 E-mail: support@oring-networking.com